

COMPONENT TESTING

IF THE GATE CIRCUITS ARE BAD IT IS A SURE BET THE IGBT'S ARE BAD!

TRANSISTOR TEST

The following ohmic readings should be present:

Positive Lead

C2E1 or 1
C2E1 or 1
C1 or 3
E2 or 2
G1 or 4
G1 or 4
G2 or 6
G2 or 6

Negative Lead

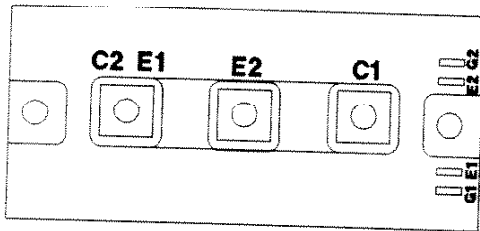
E2 or 2
C1 or 3
C2E1 or 1
C2E1 or 1
C1 or 3
C2E1 or 1
E2 or 2
C2E1 or 1

Reading

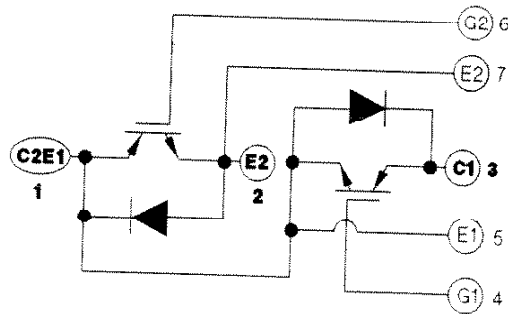
Infinity
7 to 12 ohms (Conducting Diode)
Infinity
7 to 12 ohms (Conducting Diode)
Infinity
Infinity
Infinity
Infinity

NEWER METERS ON DIODE SCALE → .2 TO .5

Armature Transistor



~~Field Transistor~~



Note: Device may be marked with either letters and numbers or numbers only for circuit identification.

CAPACITOR TEST

Electrolytic capacitors can store a **significant amount of charge (energy)** and **must be discharged** by placing a 100 ohm 2 watt resistor between positive(+) and negative(-) for three seconds or greater. Measure the voltage across the capacitor to insure it is completely discharged.

Capacitor Bank Test

Measure ohms thru the capacitor using the R x 100 scale. Meter should swing toward zero then reverse and swing slowly to above 2000 ohms. Meter polarity is not critical.