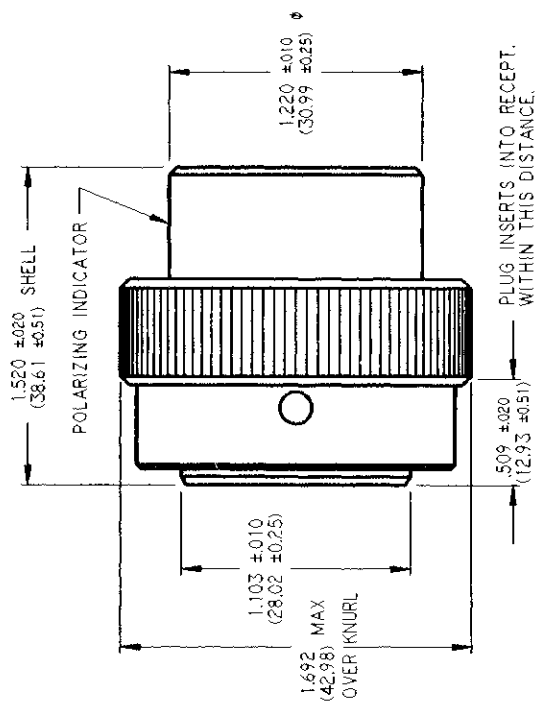
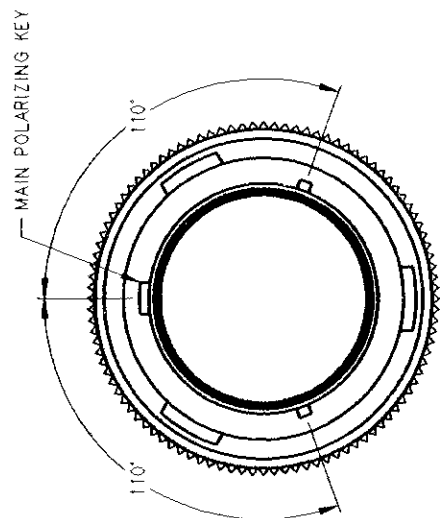


REV NC **HD36-18-PP/S***

REVISIONS

SYM	DESCRIPTION	DATE	APPROVED
NC	NEW RELEASE PER E.O. A14915	12-4-85	RDR



- NOTES:
1. CONSULT THE FACTORY FOR ELECTRICAL AND MATERIAL SPECIFICATIONS.
 2. DIMENSIONS ARE IN INCHES (METRIC).
 3. FOR PERFORMANCE AND APPLICATION CHARACTERISTICS SEE ENVELOPE DRAWING 0425-016-0000.
 4. FOR ARRANGEMENT OF CONTACT LOCATION SEE ENVELOPE DRAWING 0425-013-1800.
 5. FOR CONTACTS AND WIRES PERFORMANCE AND APPLICATION CHARACTERISTICS SEE ENVELOPE DWG. 0425-015-0000.

DR	V.TOMSA NOV-9-85	CP	The Deutsch Company
CHK			DEUTSCH I.P.D. 37140 INDUSTRIAL AVE. HEMET, CALIF. 92343
FE	<i>V. Tomsa</i>		B HD36-18-PP/S*
APPD	<i>R. Reed</i>		ENVELOPE
SCALE	2:1		
SIGNATURE & DATE	V.TOMSA NOV-9-85	MAX CODE	
APPD	<i>R. Reed</i>	DWG. SIZE	CODE
SCALE	2:1		4113*
			SHEET 1 OF 1