



Model KH11 Pressure Transmitter

OUTLINE

This small and light pressure transmitter has been developed for a small apparatus with limited space. This pressure transmitter can be used for controlling pneumatic machines and equipment, and for controlling various types of compressed air charged devices.

FEATURE

- Because of equipping an evaporative- condensing-type semiconductor strain gauge, this pressure transmitter demonstrates excellent durability and stability.
- The small and light design appropriate for pneumatic and hydraulic devices has been realized.
- A metallic diaphragm is welded to the case and no moving portion exists. So, this pressure transmitter demonstrates both excellent vibration resistance and impact resistance.

SPECIFICATION

Fluid:

Gas or Liquid

Operating condition:

Under the normal condition, where there is no inflammable gas or liquid which cause the ignition or explosion.

Type:

Cable type
(2.3 DIA. With the atmospheric releasing tube, 0.6 m cable)

Connection:

R1/8

Wetted parts material:

Diaphragm 630st.st.(17-4PH st.st.)
Socket 304st.st.
Case 430st.st.
Cap PA(Nylon)

Pressure range:

0 ~ 0.3 → 0 ~ 1MPa (0 ~ 3 → 0 ~ 10kgf/cm²)

Use charging-voltage Vs:

5.0 ± 0.5V DC

Maximum charging-voltage:

6.0V DC

Output:

1/10 ~ 9/10Vs
(0.5 ~ 4.5 V DC in Vs = 5 V DC)

Load resistance:

10kΩ min.

Transmission system:

3 wire system

Consumption current:

10mA DC or less

Max. allowable pressure:

200% of rated pressure

Operating temperature:

-20 ~ 70℃

Storage temperature:

-30 ~ 80℃

Accuracy:

±3.0%F.S.(At 0 ~ 50℃)
(Include linearity, hysteresis, repeatability)

Construction :

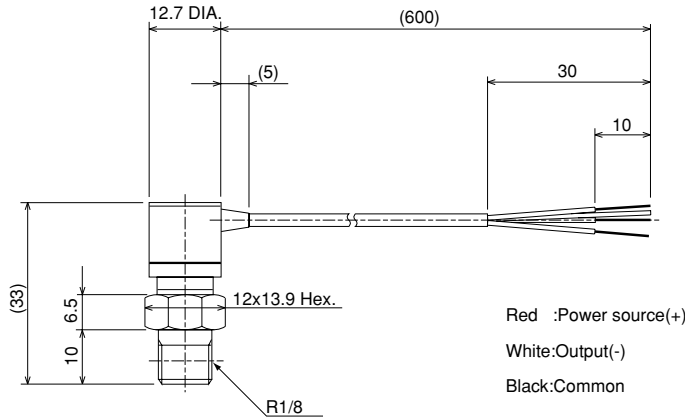
Drip-proof II (IP52) Except cable edge

Weight:

Approx. 21 g

*Because of small size, RFI or other noise protection is not provided.

DIMENSIONS



Type No.constitution

Please specify Type No.,each specification and range, when ordering.

Note: For this Model,there is no applicable item for the figures X, but please specify X when ordering.

Pressure transmitter

Selection spec.

Additional spec.(Option)

1 Type

2 Connection

3 Wetted parts material

4 Pressure range(MPa)
(When ordering,please specify pressure range & unit.)

5 Accuracy

6 Power source

7 Output

8 Treatment

15 Document

Type No.

1 2 3 4 5 6 7 8 9 10 11 12 13 14 15

K H 1 1 - 3 6 4 - 1 0 D Y

| | |
|---|---|
| 3 | Cable type 2.3 DIA. with 0.6m as standard. (With the atmospheric releasing tube) |
| 6 | R1/8 |
| 4 | Diaphragm: 630st.st.(17-4PH st.st.) Socket: 304st.st. Case: 430st.st. Cap: PA(Nylon) |
| 1 | 0 ~ 0.3 ~ 0.5 ~ 1 |
| 0 | ±3.0%F.S. |
| D | 5V DC |
| Y | 0.5 ~ 4.5V DC |
| 0 | Nil |
| 1 | Use no oil |
| 2 | Use no water |
| 3 | Use no oil & water |
| 0 | Nil |
| 1 | Please specify your requirement Drawing one sheet,Instruction manual, Inspection procedure,Mill sheet, Test report |

The contents in the catalogue are subject to change without notice.

NAGANO KEIKI CO., LTD.



UEDA FACTORY (JQA-0794)
MARUKO FACTORY (JQA-0789)

HEAD OFFICE & OVERSEAS SALES DEPT : 1-30-4, HIGASHIMAGOME OHTA-KU, TOKYO, JAPAN.
TELEPHONE : 03 (3776) 5328
FAX : 03 (3776) 5447
TELEX : 2468452 NKSTKY J

OVERSEAS PLANTS OR AFFILIATES: U.S.A., KOREA, GERMANY
OVERSEAS SALES NETWORK: AUSTRALIA, HONG KONG, INDONESIA, KOREA, MALAYSIA, PHILIPPINES, SINGAPORE, TAIWAN, THAILAND, U.S.A.